

DC / DC POWER SUPPLY
with very high insulation voltage

SW25-25G



$V_{in} = 24\text{ V}$
 $V_{out} = 25\text{ V}$
 $V_{iso} = 25\text{ kV}$
 $P_{max} = 5\text{ W}$



Datasheet Revision 6

05.11.2021



APPLICATIONS

- Auxiliary power supply for IGBT

ELECTRICAL SPECIFICATIONS

PARAMETER	TEST CONDITIONS	MIN	TYP	MAX	UNIT
Input Voltage V_{in}	DC voltage	23	24	25	V
Output Voltage V_{out}	DC voltage	24	25	26	V
Max. Output Power P_{max}	$V_{in} = 24\text{V}$	5	8		W
Insulation Voltage output to ground V_{iso}	50 Hz AC, 1 min.		50		kV
	50 Hz AC without PD (< 10pC)	25			kV
Insulation Capacitance	output to ground		10		pF
Basic Insulation Level (BIL)	1,2µs/50µs, 15 pulses each polarity	110			kV
Max. dv/dt (Insulation)	ground connection at base plate			25	kV/µs
Short Circuit Time	output shortened	1			min
Ambient temperature		-20		70	°C
Storage temperature		-20		90	°C

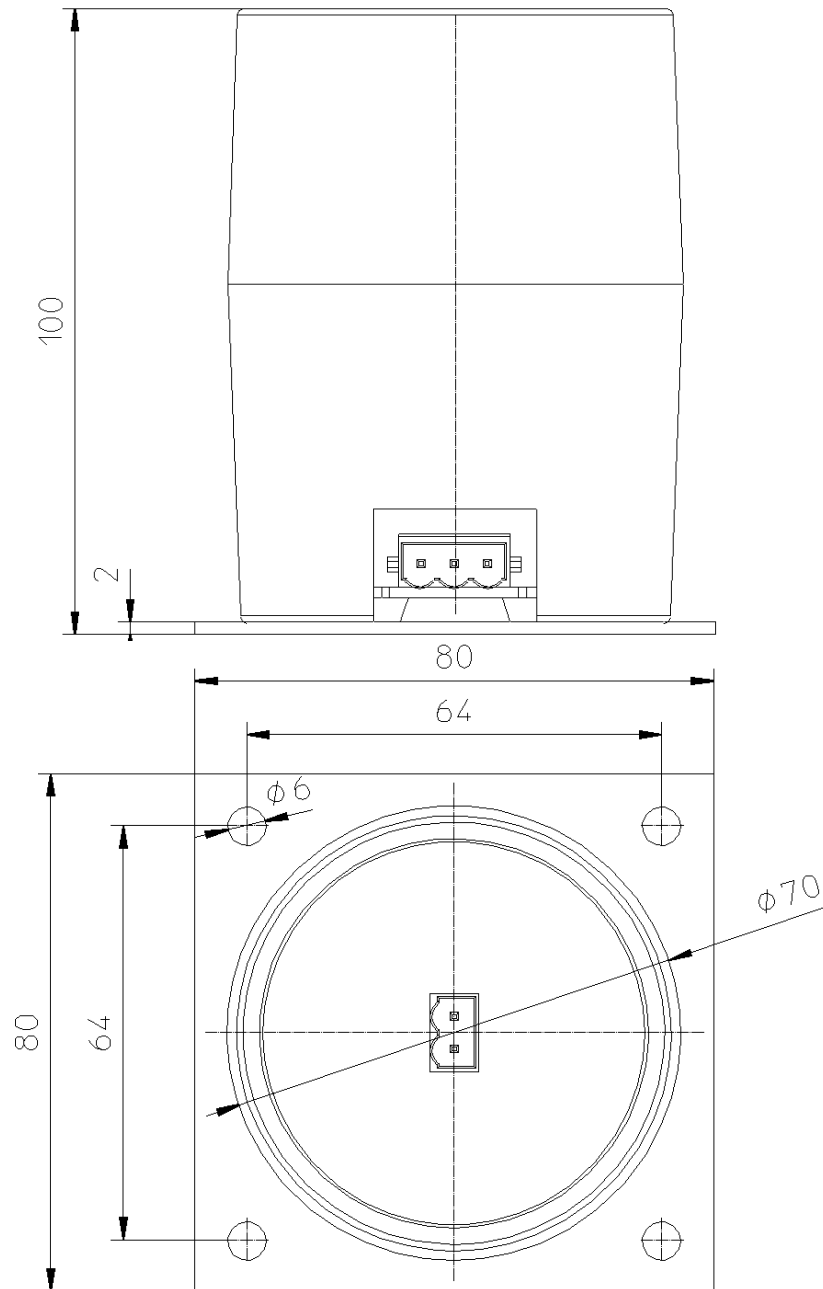
CONNECTION DATA

Input Connector Phoenix 1926028		1	= Ground (earth)
		2	= Input voltage +
		3	= Input voltage -
Output Connector Phoenix 1755736		1	= Output voltage +
		2	= Output voltage -

INSTALLATION INSTRUCTIONS

- It is important to make a low inductive ground (earth) connection.
- The environment must be clean and dry. Excessive temperature should be avoided.

PHYSICAL DIMENSIONS



PARAMETER	TYP	UNIT
Height	100	mm
Creepage distance output to input side	140	mm
Weight	600	g

IMPORTANT NOTICE

Siebel Elektronik GmbH reserves the right to change specifications without notice. Siebel Elektronik GmbH does not provide a guarantee regarding the suitability of this product for any particular purpose. Mounting only by technical experts.