

DC / DC POWER SUPPLY  
with very high insulation voltage

# SW15-25G



$V_{in} = 24\text{ V}$   
 $V_{out} = 25\text{ V}$   
 $V_{iso} = 15\text{ kV}$   
 $P_{max} = 25\text{ W}$



Datasheet Revision 5

Valid from device-revision B

29.04.2024

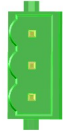

## APPLICATIONS

- Auxiliary power supply for IGBT

## ELECTRICAL SPECIFICATIONS

PARAMETER	TEST CONDITIONS	MIN	TYP	MAX	UNIT
Input Voltage $V_{in}$	DC voltage	23	24	25	V
Output Voltage $V_{out}$	DC voltage	24	25	26	V
Max. Output Power $P_{max}$	$V_{in} = 24\text{V}$	25			W
Insulation Voltage output to ground $V_{iso}$	50 Hz AC, 1 min		30		kV
	50 Hz AC without PD (< 10pC)	15			kV
Insulation Capacitance	output to ground		10		pF
Basic Insulation Level (BIL)	1,2µs/50µs, 15 pulses each polarity	110			kV
Max. dv/dt (Insulation)	ground connection at base plate			25	kV/µs
Short Circuit Time	output shortened	1			min
Ambient temperature		-20		50	°C
Storage temperature		-20		90	°C

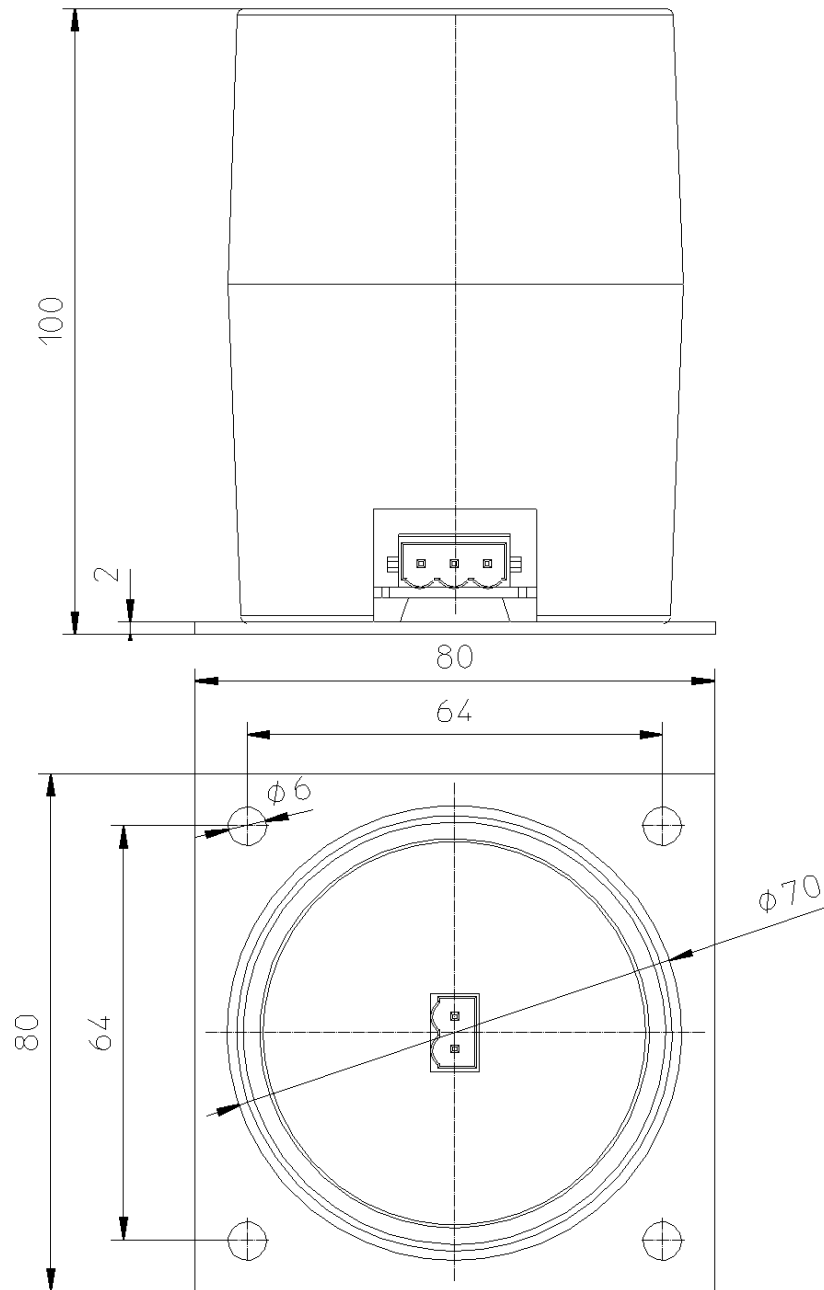
## CONNECTION DATA

Input Connector Phoenix 1926028		1 = Ground (earth) 2 = Input voltage + 3 = Input voltage -
Output Connector Phoenix 1755736		1 = Output voltage + 2 = Output voltage -

## INSTALLATION INSTRUCTIONS

- It is important to make a low inductive ground (earth) connection.
- The environment must be clean and dry. Excessive temperature should be avoided.

## PHYSICAL DIMENSIONS



PARAMETER	TYP	UNIT
Height	100	mm
Creepage distance output to input side	140	mm
Weight	550	g

## IMPORTANT NOTICE

Siebel Elektronik GmbH reserves the right to change specifications without notice. Siebel Elektronik GmbH does not provide a guarantee regarding the suitability of this product for any particular purpose. Mounting only by technical experts.